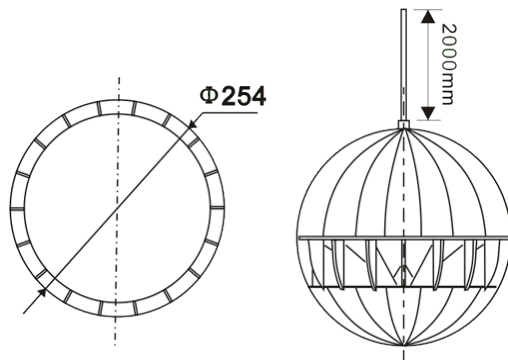


SPHERICAL SPEAKERS 20W

LTS.SP2530



The SP2530 is equipped with a 8" boomer. With a 360° dispersion, this spherical speaker is perfect to reduce the amount of speakers to cover a certain surface. It also can be mounted on the ceiling or on any other bases.



APPLICATIONS

- General sound,
- Sport center,
- Public place,
 - Shops,
 - Resorts,
 - Factories,
 - Restaurant,
- Conference room, ...

Specifications

Frequency response	130 - 15 kHz
Power supply 100V	5 - 10 - 20W
Sensitivity	92 dB (±3 dB)
Finish	White ABS
Max. power	30W
Dimensions	Ø254 mm
Attachment cable height	200 mm
Weight	2.20 kg