

Operation manual



TABLE OF CONTENTS

1. About this product.....	Page 3
2. Safety tips.....	Page 3
3. Dimensions.....	Page 3
4. Installation.....	Page 4
5. Specifications.....	Page 4

1. ABOUT THIS PRODUCT

The SP3860B and SP3860W loud-speakers broadcast Pan-for hotels, commercial buildings, supermarkets, schools, leisure and entertainment venues, is your ideal choice. For your installation, commissioning and use of this product, the installation please read this note.

2. SAFETY TIPS

Common warning signs and security

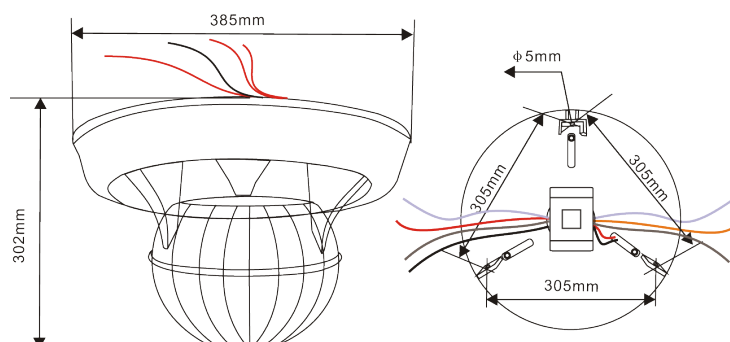
The manual shown warning signs and security is to prevent the improper operation due to personal injury arising from the loss of property, please read before using this product must understand that this manual security symbols and Warning to indicate fully aware of potential risks.

Warning : Such as the inappropriate use of staff will cause injury, death and property damage.

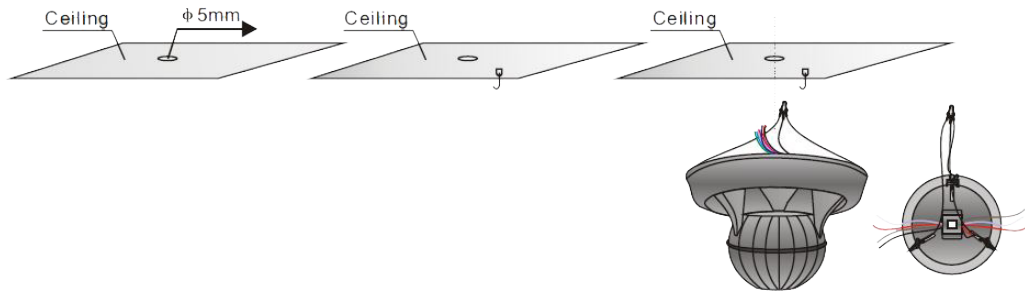
When installed loudspeakers

- Definitely will not be allowed to speakers and any exposure in the rain-wet or water, may be inconsistent with ,or fire.
- Restricted by the provisions of the speakers on the voltage, such as the use of high voltage may cause electric shock or fire disaster. Is no pruning, distorted, or replacement of damaged wires.
- Avoid instability in the installation or set up speakers, such as shaking the table or flat surface, the speaker can avoid falling caused personal injury or property damage.
- Speakers will be installed in support of the speaker or the weight of a solid shelf. Speaker swap can be avoided caused personal injury or property damage.
- Wet hands must not be admitted into or plugs, may lead to electric shocks.
- The allocation of plugs, make sure that pull plugs, rather than pull wires.
- The use of a damaged power line of machinery may cause fire or electric shock.
- Mobile speaker, you plug the prior allocated. If the speaker and plugs may be moving together will cause fire or electric shock. For plugs,identified as plugs for grip.
- Will not be allowed to speakers on the vent cover. May cause internal heating caused by the fire.
- Avoid speakers installed in the humidity or dust, direct contact with the sun, from the near-electric, or smoke or steam, may cause fire or electric shock.

3. DIMENSIONS



4. INSTALLATION



Step 1

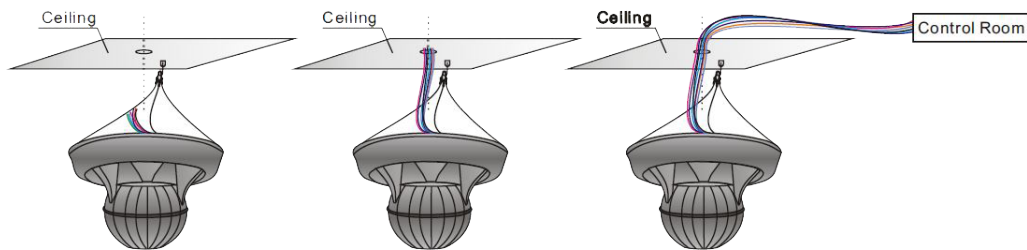
Pendant speaker weighs 3.4 kg, have to use force strong body, pendant speaker us not strong enough to avoid falling or causing subject injury. Open hole in the ceiling set to 5 mm.

Step 2

On the ceiling to install a hook (recommended around 10 mm steel gold hooks)

Step 3

The roof of the three fixed holes with wire hooks used to hold back.



Step 4

All with wire hooks in large linked deduction will be big hooks, hanging on a fixed wall.

Step 5

Will pendant speaker line transformer through the ceiling hole.

Step 6

Finally, then in the flowering pendant speaker connected to the control panel equipment and pay attention to the safety line, firmness.

5. SPECIFICATIONS

Power taps 100V	7,5W / 10W / 15W / 20W / 30W / 60W
Power taps 70V	3,75W / 5W / 7,5W / 10W / 15W / 30W
Impedance	Black COM, white 1.3 KΩ, red 1 KΩ, yellow 670Ω, brown 500Ω, blue 330Ω, green 165Ω
SPL (1W/1m)	102 dB
Frequency response	100 Hz – 13 KHz
Dimensions	385 x 385 x 302 mm
Weight	3,4 kg

LINEARSOUND



Linear Technologie • 11 rue du Puits Rochefort • 42 100 Saint-Etienne
Tél: +33 (0)4 77 81 49 49 • Fax: +33 (0)4 77 81 49 40 • www.lineartech.fr