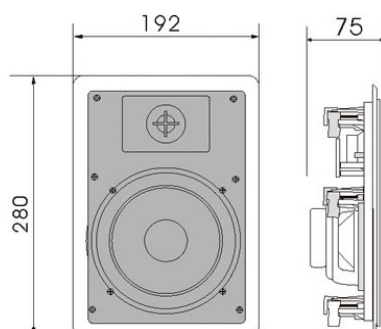


SOUND SPEAKER 20W WALL LTS.PLC2820

This range has a great mix between quality and price, with a modern design. It is made for a surface mounting. The trapezoidal form allows a better integration.



This 2 voices 20 watts speaker range, has a 5" boomer and a 1" tweeter Mylar. It is made in ABS with a metal grille with epoxy paint. It can be supply in 100V line or impedance bass. For inside use.



Applications

- General sound,
- Sport centers
- Public places,
- Worship place
 - Malls,
 - Restaurants,
- Meeting room, ...

Specifications

Frequency response	90 Hz – 20 KHZ
Sensitivity	88 dB (± 3 dB)
Impedance	8 Ω
Max. power	20W
Mounting holes	195 x 120 mm
Material	ABS
Dimensions	280 x 192 x 75 mm
Weight	1.50 kg