

6W CEILING LOUDSPEAKER LTS.PL96

Operation manual



Please follow the instructions in this manual to obtain the optimum results from this unit.
We also recommend that you keep this manual handy for future reference.

TABLE OF CONTENTS

1. About this product.....	Page 3
2. Safety precautions.....	Page 3
3. Dimensions.....	Page 3
4. Installation.....	Page 4
5. Specifications.....	Page 4

1. ABOUT THIS PRODUCT

Loud speakers broadcast pan for hotels, commercial buildings, supermarkets, schools, leisure and entertainment venues, is your ideal choice. For your installation, commissioning and use of this product, the installation please read this note.

2. SAFETY PRECAUTIONS

Common warning signs and security

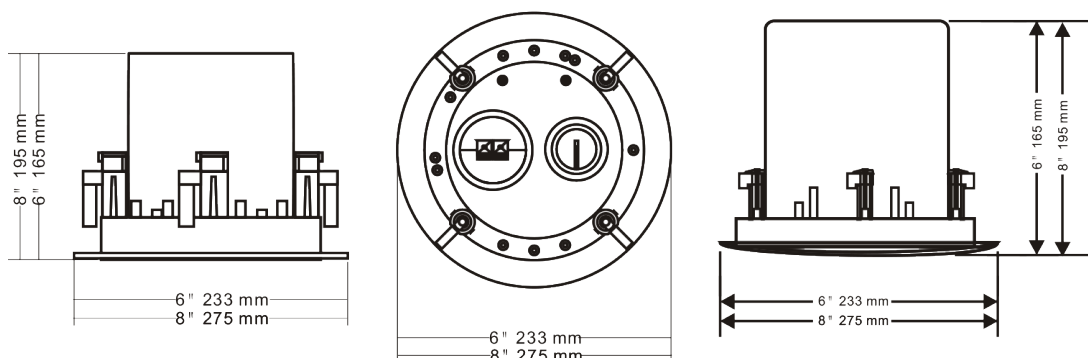
The manual shown warning signs and security is to prevent the improper operation due to personal injury arising from the loss of property, please read before using this product must understand that this manual security symbols and Warning to indicate fully aware of potential risks.

Warning : Such as the inappropriate use of staff will cause injury, death and property damage.

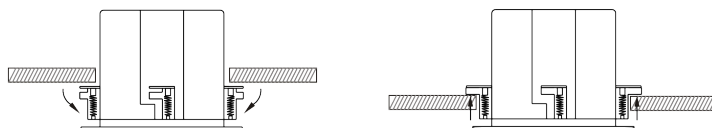
When installed loudspeakers

- Restricted by the provisions of the speakers on the voltage, such as the us of high voltage may cause electric shock or fire disaster. Is no pruning, distorted, or replacement of damaged wires.
- Avoid instability in the installation or set up speakers, such as shaking the table or flat surface , the speaker can avoid falling caused personal injury or property damage.
- Speakers will be installed in support of the speaker or the weight of a solid shelf. Speaker swap can be avoided caused personal injury or property damage.
- Wet hands must not be admitted into or plugs, may lead to electric shocks.
- The allocation of plugs, make sure that pull plugs, rather than pull wires.
- The use of a damaged power line of machinery may cause fire or electric shock.
- Mobile speaker, you plug the prior allocated. If the speaker and plugs may be moving together will cause fire or electric shock. For plugs, identified as plugs for grip.
- Will not be allowed to speakers on the vent cover. May cause intern heating caused by the fire.
- Avoid speakers installed in the humidity or dust, direct contact with the sun from the near-electric, or smoke or steam, may cause fire or electric shock.

3. DIMENSIONS



4. INSTALLATION



Step 1

The ceiling opening size, the wiring through the hole to open a good connection on the speaker.

Step 2

The mask opening speaker.

Step 3

Speakers installed in the ceiling and fixed. So close to the edge of the ceiling speakers, rotating clockwise and tighten the screws.

5. SPECIFICATIONS

Power taps 100V	1.9W / 3.8W / 7.5W / 15W / 30W / 60W
Power taps 70V	0.95W / 1.9W / 3.8W / 7.5W / 15W / 30W
Sensitivity	90 dB
Frequency response	60 - 2 KHz
Hole size	245 mm
Dimensions	275 x 195 x 275 mm
Weight	3.5 kg

LINEARSOUND



Linear Technologie • 11 rue du Puits Rochefort • 42 100 Saint-Etienne
Tél: +33 (0)4 77 81 49 49 • Fax: +33 (0)4 77 81 49 40 • www.lineartech.fr