

LED PROJECTOR 36x3W LTL.TULIP

Operation manual



TABLE OF CONTENTS

1. About this product.....	Page 3
2. Safety instructions.....	Page 3
3. Dimensions.....	Page 4
4. Main features.....	Page 4
5. DMX function.....	Page 5
6. Control pannel.....	Page 6
7. Operation instruction.....	Page 6
8. Integrated programm	Page 7
9. Master/Slave mode.....	Page 7
10. DMX connection.....	Page 7
11. Connections.....	Page 8
12. Specifications.....	Page 9

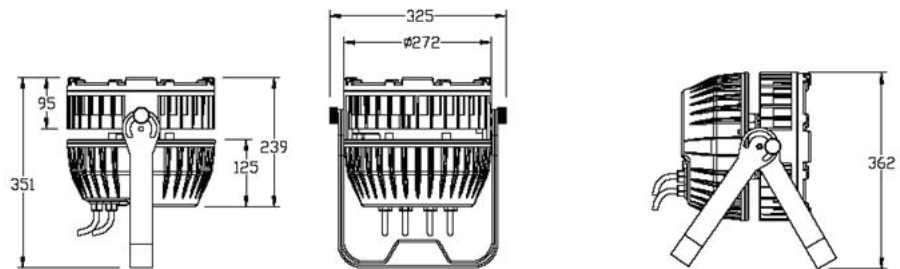
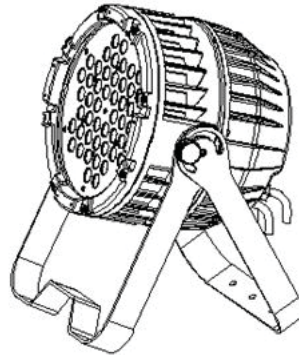
1. ABOUT THIS PRODUCT

This LEDs RGB full color projector permits number effects. The 3 basic colors can be graded separately. This projector, light and low consumption, is stable and efficient. It embedded functions as dimmer, strobe, water effect, gradual changes, fading,... It answers to the DMX512 standard.

2. SAFETY INSTRUCTIONS

- Respect the rated voltage of the device
- Check that the device has not been damaged during transportation
- This projector is designed for indoor or outdoor use. The ambient temperature must not exceed 40 ° C
- Install the projector in a well ventilated area and away from flammable materials (at least 50cm)
- In case of failure or other problem, call a professional

3. DIMENSIONS



4. MAIN FEATURES

- IP65 for indoor and outdoor use
- DMX control
- Master/Slave mode
- Optionnal opening angle : 15 - 25 - 45°
- 3 in 1, full colour
- Strobe, gradual changes, ...

5. DMX FUNCTION

- DMX CHANNELS (7 channels)

CHANNEL DMX	VALUE	FUNCTION	NOTE	PRIORITY
1	0 - 255	Main dimmer		1
2	0 - 255	Red dimmer 0-100%	OR AMBER	1
3	0 - 255	Green dimmer 0-100%	OR WHITE	1
4	0 - 255	Blue dimmer 0-100%		1
5	0 - 14	Dimmer		3
5	15 - 255	Strobe speed		3

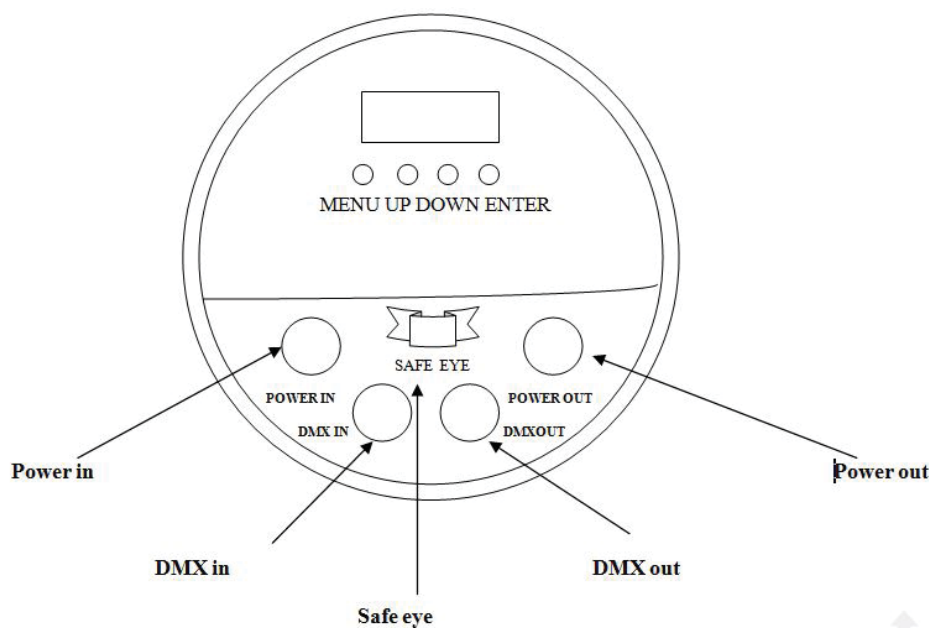
(When the 6 channel is between 23 and 223, the channel is for the speed adjustment 0-255)

6	0 - 31	No function		
6	32 - 63	Dark - clear		3
6	64 - 95	Clear - dark		3
6	96 - 127	Darke - clear - dark		3

(The channels 2, 3 and 4 must operate, the channel 5 permits to adjust the speed)

6	128 - 159	Gradual change RGB		3
6	160 - 191	Change by leap		3
6	192 - 223	7 color changes by leap		3
6	224 - 255	Standby		3
7	0 - 9	No function		2
7	10 - 29	R 100%		2
7	30 - 39	R85% + Y15%		2
7	40 - 49	R60% + Y40%		2
7	50 - 69	Y100%		2
7	70 - 79	Y85% + G15%		2
7	80 - 89	Y60% + G40%		2
7	90 - 109	G100%		2
7	110 - 119	G85% + B15%		2
7	120 - 129	G60% + B40%		2
7	130 - 149	B100%		2
7	150 - 159	B85% + C15%		2
7	160 - 169	B60% + C40%		2
7	170 - 189	C100%		2
7	190 - 199	C50% + P50%		2
7	200 - 219	P100%		2
7	220 - 229	P50% + W50%		2
7	230 - 249	W95% + Y5%		2
7	250 - 255	W100%		2

6. CONTROL PANNEL



MENU : To access to the menu or return to a previous option

UP

DOWN

ENTER : Select option

7. OPERATION INSTRUCTION

MENU : Is used to access to the menu or return to the previous option. This button can not be use to select and save the current option. Press UP/DOWN to select the desired menu :

Addr : DMX mode (A001 - A512)

SP- - : Speed adjustment (Sp00-SP015; SP00 is the fastest)

Pr- - : Integrated program (Pr00 - Pr15, 16 programs)

ASC- : 7 colors leap (AS00 - AS15 adjustable speed)

FAde : Gradual changes (FA00 - FA15 adjustable speed)

FLAS : Strobe white color (FL00 - FL15 adjustable speed)

rL- : Red gradation (rL000-rL15, rL15 is the brightest)

gL- : Green gradation (gL00 - gL15, gL15 is the brightest)

bL- : Blue gradation (bL00 - bL15, bL15 is the brightest)

ENTER : Is used to access to the second level of the menu, to select and save functions.

8. INTEGRATED PROGRAMM

Pr00 Red	Pr01 Green	Pr02 Blue	Pr03 Yellow	Pr04 Cyan
Pr05 Violet	Pr06 White	Pr07 Red strobe	Pr08 Green strobe	
Pr09 Blue strobe	Pr10 Yellow strobe	Pr11 Cyan strobe	Pr12 Violet strobe	
Pr13 White strobe	Pr14 Colors RGB leap			

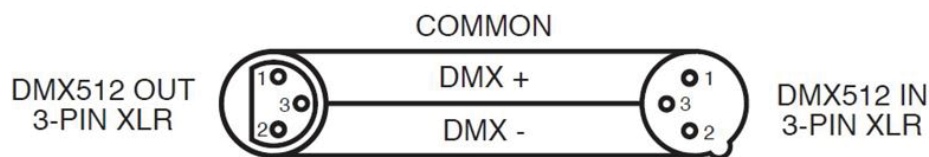
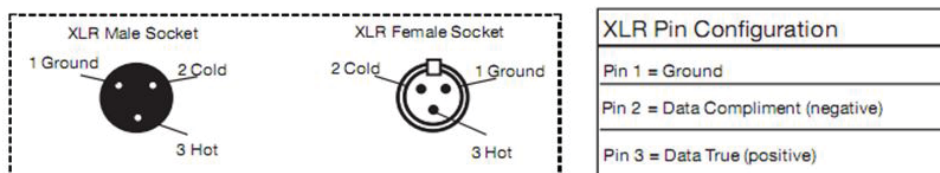
9. MASTER/SLAVE MODE

MASTER : It can be configured in every modes except DMX. The projector gives orders via output signal. Only the projector can be programmed in Master, the others are in Slave.

SLAVE : Configure the projectors in the DMX mode. An amplifier is need if the signal to cover exceeds the 150 meters or if more than 60 projectors are connected to a single signal.

10. DMX CONNECTION

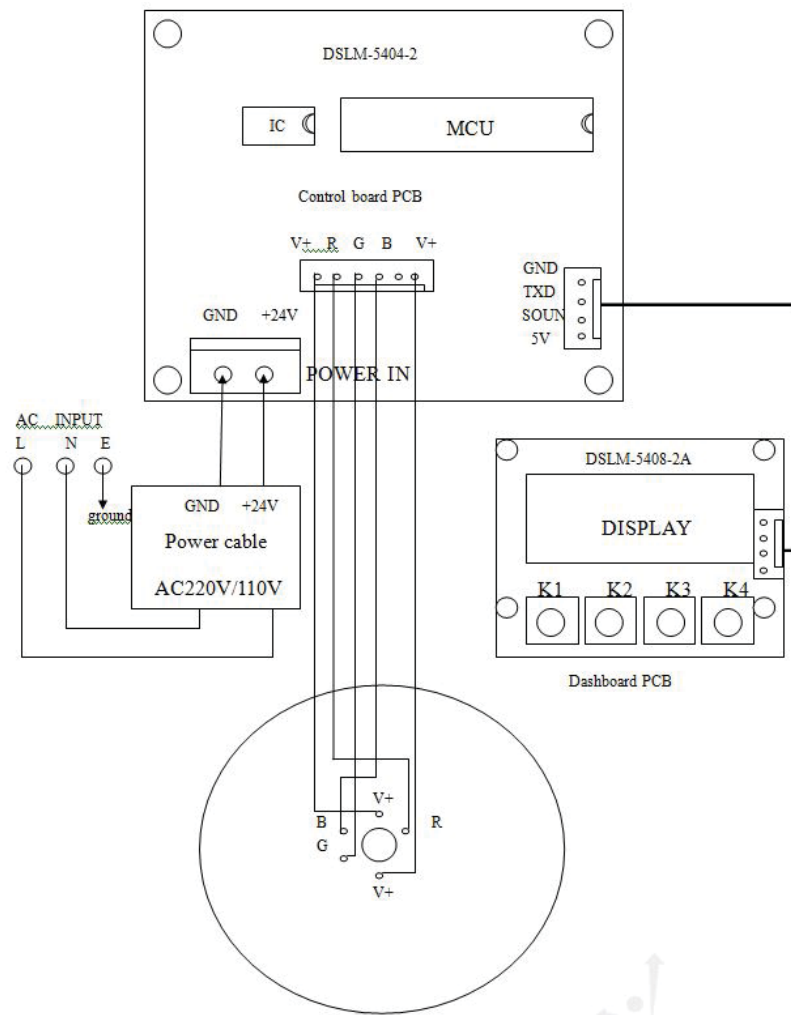
- Signal cable connection : Connect the male plug to the female plug as below :



Note : to avoid signal transmission fault and interference, put a 120Ω (1/4W) resistance at the terminal of cable connection as below :



11. CONNECTIONS



12. SPECIFICATIONS

- 220 - 240V
- Max. power : 120W
- 36 LEDs RGB 3W high power
- Control mode : Stand alone, DMX, Master/Slave
- 7 channels DMX
- Functions : Dimmer 0-100%, strobe, water effect
- Opening angle : 45°
- IP65 protection
- Dimensions : 36.5x36.5x40cm
- Weight : 12 kg

LINEARLEDS



Linear Technologie • 11 rue du Puits Rochefort • 42 100 Saint-Etienne
Tél: +33 (0)4 77 81 49 49 • Fax: +33 (0)4 77 81 49 40 • www.lineartech.fr