

MULTI FUNCTIONS DVD PLAYER LTV. DVDPRO Operation manual



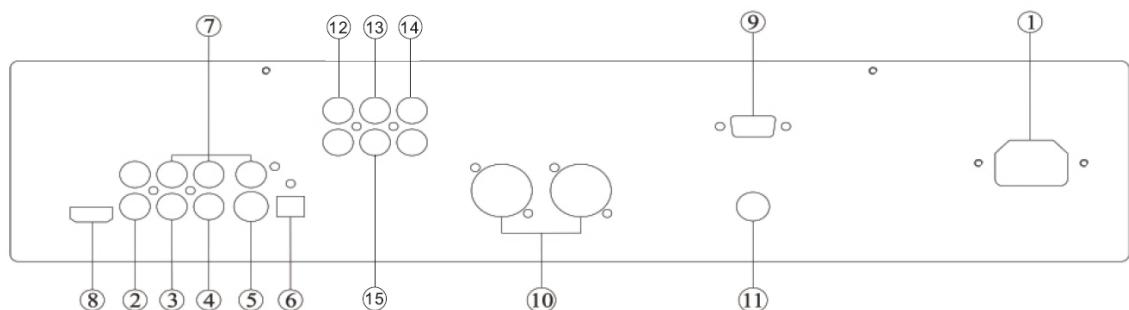
TABLE OF CONTENTS

1. Before you begin.....	Page 3
2. Rear panel function description.....	Page 3
3. Front panel function description.....	Page 4
4. Specifications.....	Page 5

1. BEFORE YOU BEGIN

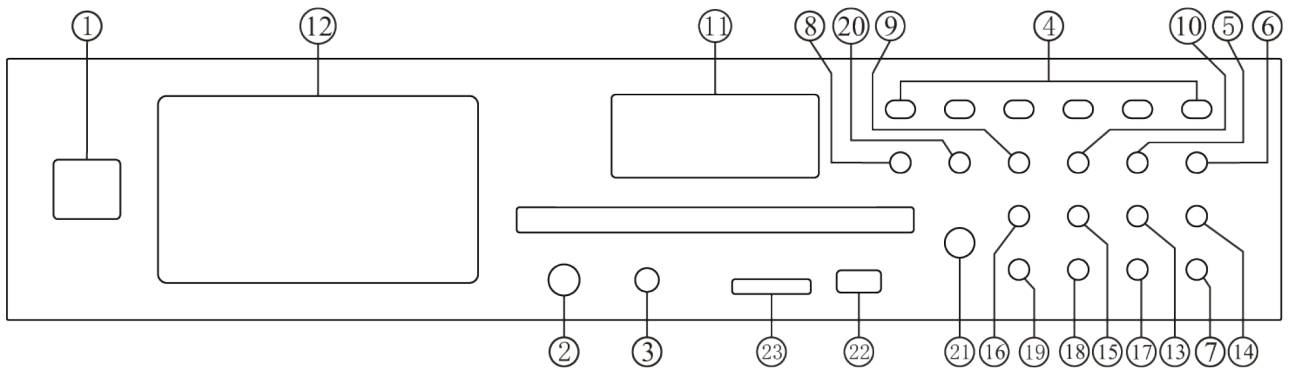
Immediately upon receiving a fixture, carefully unpack the carton; check the contents to ensure that all parts are present, and the equipment have been received in good condition. Notify the shipper immediately and retain packing material for inspection if any parts appear damaged from shipping or the carton itself shows signs of mishandling. Save the carton and all packing materials. In the event that a fixture must be returned to the factory, it is important that the fixture to be returned in the original factory box and packing.

2. REAR PANEL FUNCTION DESCRIPTION



1. Power interface
2. Non-balanced output : RCA signal left and right audio input.
3. RCA digital signal output
4. AV video output
5. SV video output
6. Optical output
7. Component video output
8. HDMI output
9. VGA output
10. XLR output
11. BNC video output
12. FR - FL : Right and left channel output.
13. CEN : Center output.
14. SR - SL : Surround sound right and left output.
15. SW : Bass audio output.

3. FRONT PANEL FUNCTION DESCRIPTION



1. **Power switch** : When pressed the switch, the machine starts.
2. **Earphone output** : The standard 6.35 signal output for earphone.
3. **Volume control** : Volume output knob.
4. **Selection buttons** : 1-10 selectable tracks.
5. **Previous button** : Press the button to play last one.
6. **Next button** : Press the button to play next one.
7. **Repeat** : Use this button to repeat one track or all the track of the disc or USB or SD.
8. **R/L** : Selectable output of left, right or stereo.
9. **Rev button** : Press the button would be rewind search.
10. **Fwd button** : Press the button would be fast-forward search.
11. **LCD display** : Show information about the DVD player.
12. **4.3 display** : Show information and video about the DVD player.
13. **Promotion tone button** : Provide 0-9 to adjust the tone.
14. **Video switch** : the default component output of the machine, press the button can be directly converted into VGA and S-video output.

Note : This machine HDMI output and component output to set the output group, if converted into VGA and s-video output, HDMI will not work.

15. **Reduce tone button** : Provide 0-9 to reduce the tone.
16. **Eject button** : Press this button to open and close the disc tray.
17. **Time button** : Use this button to choose the time mode (elapsed time, remaining time, total time)
18. **Return button** : Press this button immediately return to the beginning of the current song.
19. **Play button** : When you press this button the operation changes from play to pause or from pause to play.
20. **Source button** : Selectable DISC, USB or SD.
21. **Remote control** : Remote control receiver.
22. **USB interface** : Acceptable standard USB input.
23. **SD interface** : Acceptable standard SD input.

4. SPECIFICATIONS

Color screen	TFT 3,5 inches
Fast selection touch	0-9
Clamping	Precise clamping of video sequences
Signal	RCA signal left and right audio output
Audio output	With composite decoding 5+1
Display	Digital
Outputs	RCA, earphone
File types	DVD, VCD, CD, CD-R, CD-RW, MP3, MP4, WAV, WMA, USB
Video composite output	BNC
Output	VGA, HDMI, YUV
Power supply	100V - 240V
Dimension	483 x 200 x 88 mm
Weight	~ 5 kg

LINEARSCREEN



Linear Technologie • 11 rue du Puits Rochefort • 42 100 Saint-Etienne
Tél: +33 (0)4 77 81 49 49 • Fax: +33 (0)4 77 81 49 40 • www.lineartech.fr