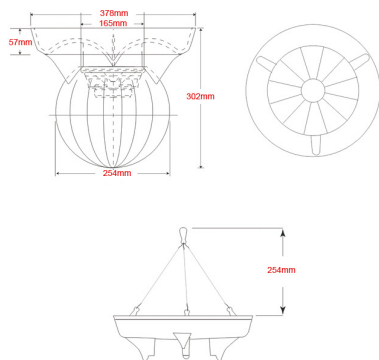


## SPHERICAL SPEAKERS 60W

### LTS.SP3830T



The SP3830T is equipped with a 8" boomer and a 1" engine. With a 360° dispersion, these spherical speakers are perfect to reduce the amount of speakers to cover a certain surface. The SP3860T can be mounted on the ceiling or suspended with a cable.



### Applications

- General sound,
- Sport center,
- Public place,
- Worship place,
  - Shops,
  - Restaurant,
  - Factory,
  - Resorts,
- Conference room, ...

### Specifications

|                    |                |
|--------------------|----------------|
| Frequency response | 130 ~ 15 kHz   |
| Power supply 100V  | 7,5 - 15 - 30W |
| Sensitivity        | 92 dB          |
| Impedance          | 7.2Ω           |
| Dimensions         | Ø378 x 302 mm  |
| Material           | ABS            |
| Weight             | 3 kg           |