

Operation manual



Please follow the instructions in this manual to obtain the optimum results from this unit.
We also recommend that you keep this manual handy for future reference.

TABLE OF CONTENTS

1. Safety precautions.....	Page 3
2. Features.....	Page 3
3. Dimensions.....	Page 4
4. Installation.....	Page 4

1. SAFETY PRECAUTIONS

When used as indicated, this device is designed and manufactured to ensure your personal safety. Nevertheless, improper use may cause a risk of electric shock or fire. Please carefully read all safety instructions and the user manual before any installation and use; keep them for reference.

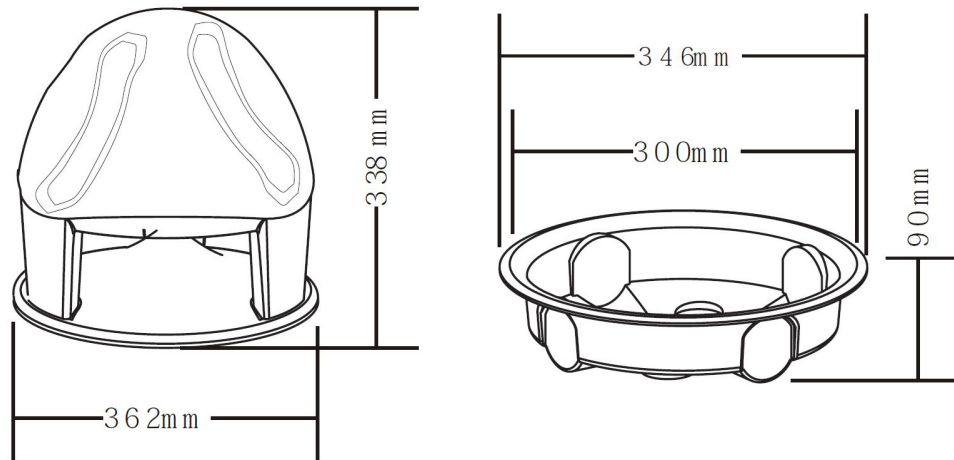
Pay attention to all warnings in these instructions and on the device.

- Water and moisture : Do not expose the unit to rain or moisture. Examples : Near a bathtub, sink, kitchen sink or laundry room, in a wet basement or near a swimming pool.
- Ventilation : The unit must be positioned so that its location or position does not interfere with proper ventilation. For example, it should not be situated on a bed, sofa, rug or similar surface that may block the vents; secondly, do not place it in a recessed area, such as a bookcase or cabinet that may prevent air from flowing through the vents.
- Heat : Place the unit away from heat sources such as radiators, heat registers, stoves, or other device (including amplifiers) that produce heat.
- Power sources: Before connecting, make sure the voltage is correct and that it is not higher than that listed on the back cover of the unit, the operating manual or marked on the unit.
- Make sure you place the device on a stable surface.
- Penetration by objects and liquids: Make sure nothing falls or no liquid flows into the openings or vents of the product.
- Accessories : Do not use not recommended accessories by the product manufacturer.
- Protection against lightning and overload : Unplug the unit from the wall outlet and disconnect the antenna or cable during a lightning storm or when left unattended and unused for long periods. This will prevent damage to the unit due to lightning or a temporary surge.
- The unit must be repaired by qualified technicians.

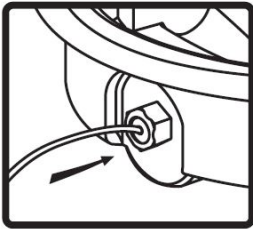
2. FEATURES

Rater power	40W
Max power	50W
Line volt	70V / 100V
Sensitivity	86dB
Frequency response	80 - 1600 Hz
Mounting	107 mm
Dimension	362 x 362 x 428 mm
Weight	6,8 kg

3. DIMENSIONS

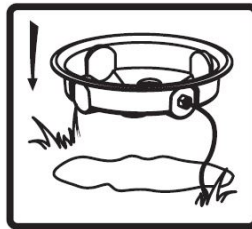


4. INSTALLATION



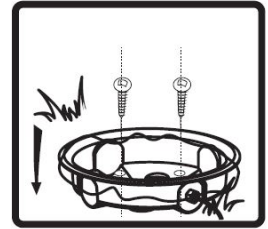
1

Pass the cable through the gland, making sure to keep a good sealing



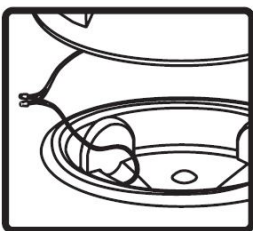
2

Position the speaker in the space provided and drill the mounting holes.



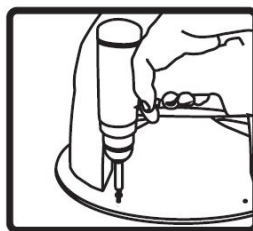
3

Screw the base of the speaker on the floor.



4

Connect the cable to the speaker cable.



5

Attach the speaker on its base.



6

Done!

LINEARSOUND



Linear Technologie • 11 rue du Puits Rochefort • 42 100 Saint-Etienne
Tél: +33 (0)4 77 81 49 49 • Fax: +33 (0)4 77 81 49 40 • www.lineartech.fr