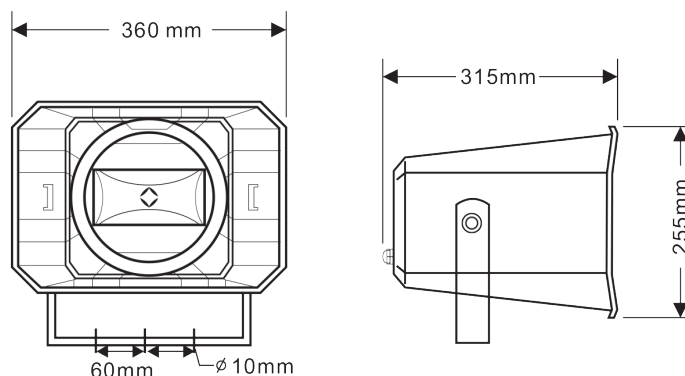




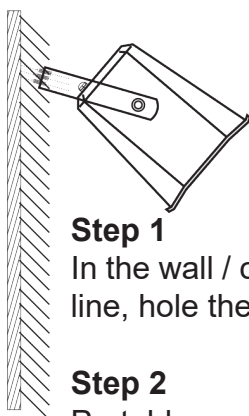
TABLE OF CONTENTS

1. Dimensions.....	Page 3
2. Installation.....	Page 3
3. Specifications.....	Page 3
4. Instructions.....	Page 4

1. DIMENSIONS



2. INSTALLATION



Step 1

In the wall / ceiling on the opening three holes, three holes must be symmetrical in one line, hole the size of > 9.5 mm, the distance between holes for 60 mm.

Step 2

Portable speakers pegged at the wall / ceiling holes, screw on the button and fixed properly.

Step 3

To complete the installation of speakers.

3. SPECIFICATIONS

Power taps @100V	Red : 12.5W, green : 25W, white : 50W
Power taps @70V	Red : 6.25W, green : 12.5W, white : 25W
Impedance	Black : COM, 800 Ω , 400 Ω , 200 Ω
SPL (1W/1M)	99 dB \pm 3 dB
Frequency response	90 - 20 KHz
IP rate	IP \times 6
Dimensions	360 \times 255 \times 315 mm
Weight	4 kg

4. INSTRUCTIONS

Readers

We would like to note that all products have been tested and the commitment to keep our quality. Loudspeaker broadcast pan-for hotels, commercial buildings, supermarkets, schools, leisure and entertainment venues, is your ideal choice. For your installation, commissioning and use of this product, the installation please read this note.

Safety tips

- Please be sure to use the former reading detailed notes.
- Really pay attention to this manual and a safety with the important warning.
- Recommend that you keep this manual for future reference.

Common warning signs and security

The manual shown warning signs and security is to prevent the improper operation due to personal injury arising from the loss of property. Please read before using this product must understand that this manual security symbols and warning to indicate fully aware of potential risks.



Warning

Such as the inappropriate use of staff will cause injury, death and property damage.

When installed loudspeakers

- Definitely will not be allowed to speakers and any exposure in the rain-wet or water, may be inconsistent with fire.
- Restricted by the provisions of the speakers on the voltage, such as the use of high voltage may cause electric shock or fire disaster. Is no pruning, distorted or replacement of damaged wires.
- Avoid instability in the installation or set up speakers, such as shaking the table or flat surface, the speaker can avoid falling caused personal injury or property damage.
- Speakers will be installed in support of the speaker or the weight of a solid shelf. Speaker swap can be avoided caused personal injury or property damage.
- Wet hands must not be admitted into or plugs, may lead to electric shocks.
- The allocation of plugs, make sure that pull plugs, rather than pull wires. The use of a damaged power line of machinery may cause fire or electric shock.
- Mobile speaker, you plug the prior allocated. If the speaker and plugs may be moving together will cause fire or electric shock. For plugs, identified as plugs for grip.
- Will not be allowed to speakers on the vent cover. May cause internal heating caused by the fire.
- Avoid speakers installed in the humidity or dust, direct contact with the sun, from the near-electric, smoke or steam, may cause fire or electric shock.

LINEARSOUND



Linear Technologie • 11 rue du Puits Rochefort • 42 100 Saint-Etienne
Tél: +33 (0)4 77 81 49 49 • Fax: +33 (0)4 77 81 49 40 • www.lineartech.fr