



Read this manual before installing the device. Keep this manual well for future needs.

TABLE OF CONTENTS

1. Dispacking.....	Page 3
2. Safety instructions.....	Page 3
3. Operation instructions.....	Page 4
4. Installation via clamp.....	Page 4
5. DMX-512 control connections.....	Page 5
6.LCD display operations.....	Page 6
7. DMX channels.....	Page 6
8. Specifications.....	Page 7
9. Maintenance and cleaning.....	Page 8

1. DISPACKING

This moving wash is made of a new type of high temperature strength of engineering plastics and cast aluminum casing with nice outlook. The fixture is designed and manufactured strictly following CE standards, complying with international standard DMX512 protocol. It's available independently controlled and linkable with each other for operation. And it is applicable for large-scale live performances, theater, studio, nightclubs and discos.

This light adopts powerful LED lamps which features high brightness and stability. Please carefully dispack it when you receive the fixture and check whether it is damaged during the transportation. And please check whether the following items are included inside the box:

Moving Head----- one
Omega Clamp-----one

Signal Cable----one
User Manual----one

2. SAFETY INSTRUCTIONS

This device has left the factory in perfect condition. In order to maintain this condition and to ensure a safe operation, it is absolutely necessary for the user to follow the safety instructions and warning notes written in this user manual.

If the device has been exposed to temperature changes due to environmental changes, do not switch it on immediately. The arising condensation could damage the device. Leave the device switched off until it has reached room temperature. This device falls under protection-class I. Therefore it is essential that the device be earthed.

The electric connection must carry out by qualified person. The device shall only be used with rate voltage and frequency. Make sure that the available voltage is not higher than stated at the end of this manual.

Make sure the power cord is never crimped or damaged by sharp edges. If this would be the case, replacement of the cable must be done by an authorized dealer. Always disconnect from the mains, when the device is not in use or before cleaning it. Only handle the power cord by the plug. Never pull out the plug by tugging the power cord.

During initial start-up some smoke or smell may arise. This is a normal process and does not necessarily mean that the device is defective, it should decrease gradually. Please don't project the beam onto combustible substances.

Fixtures cannot be installed on combustible substances, keep more than 50cm distance with wall for smooth air flow, so there should be no shelter for fans and ventilation for heat radiation.

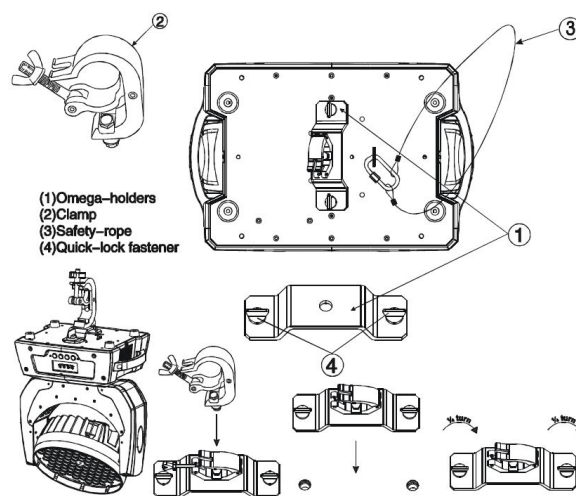
If the external flexible cable or cord of this luminaire is damaged, it shall be exclusively replaced by the manufacturer or his service agent or a similar qualified person in order to avoid a hazard.

3. OPERATION INSTRUCTIONS

- The moving head is an LED wash light for onsite decoration purpose.
- Don't turn on the fixture if it's been through severe temperature difference like after transportation because it might damage the light due to the environment changes. So make sure to operate the fixture until it is in normal temperature.
- This light should be keep away from strong shaking during any transportation or movement.
- Don't pull up the light by only the head, or it might cause damages to the mechanical parts.
- Don't expose the fixture in overheat, moisture or environment with too much dust when installing it. And don't lay any power cables on the floor. Or it might cause electronic shock to the people.
- Make sure the installation place is in good safety condition before installing the fixture.
- Make sure to put the safety chain and check whether the screws are screwed properly when installing the fixture.
- Make sure the lens are in good condition. It's recommended to replace the units if there are any damages or severe scratch.
- Make sure the fixture is operated by qualified personnel who knows the fixture before using.
- Keep the original packages if any second shipment is needed.
- Don't try to change the fixtures without any instruction by the manufacturer or the appointed repairing agencies.
- It is not in warranty range if there are any malfunctions from not following the user manual to operate or any illegal operation, like shock short circuit, electronic shock, lamp broke, etc.

4. INSTALLATION VIA CLAMP

Please refer to the picture below :

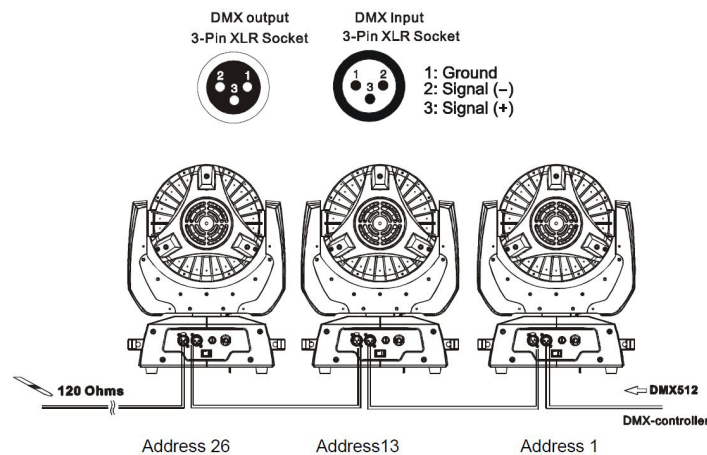


Screw one clamp each via a M12 screw and nut onto the Omega holders. Insert the quick-lock fasteners of the first Omega holder into the respective holes on the bottom of the device. Tighten the quick-lock fasteners fully clockwise. Install the second Omega holder.

Pull the safety-rope through the holes on the bottom of the base and over the trussing system or a safe fixation spot. Insert the end in the carabine and tighten the safety screw.

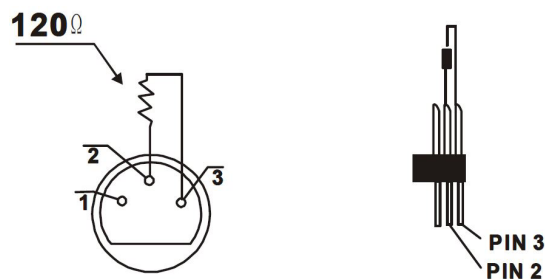
5. DMX-512 CONTROL CONNECTIONS

Connect the provided XLR cable to the female 3-pin XLR output of your controller and the other side to the male 3-pin XLR input of the moving head. You can chain multiple moving head together through serial linking. The cable needed should be two core, screened cable with XLR input and output connectors. Please refer to the diagram below.

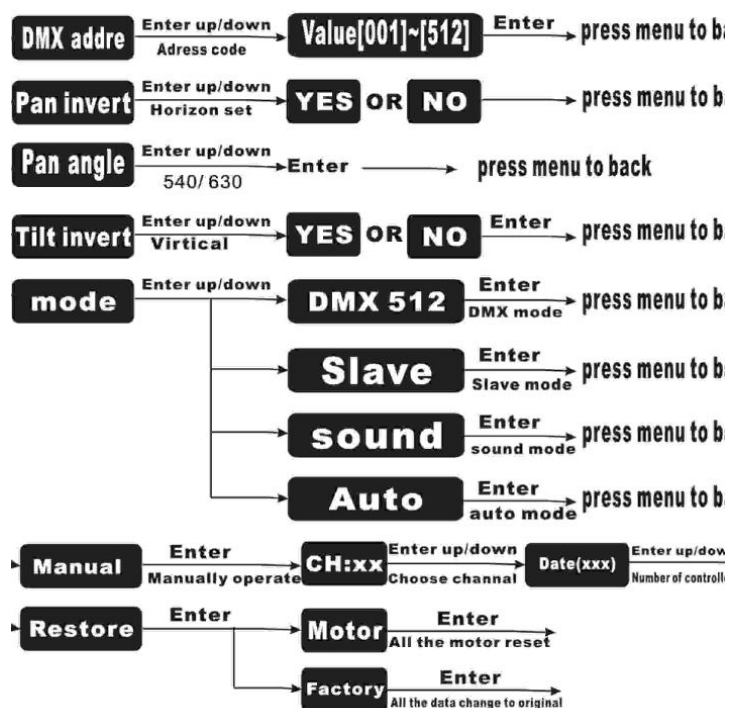


DMX-512 connection with DMX terminator

For installations where the DMX cable has to run a long distance or is in an electrically noisy environment, such as in a discotheque, it is recommended to use a DMX terminator. This helps in preventing corruption of the digital control signal by electrical noise. The DMX terminator is simply an XLR plug with a 120 Ω resistor connected between pins 2 and 3, which is then plugged into the output XLR socket of the last fixture in the chain. Please see illustrations below.



6. LCD DISPLAY OPERATIONS



The display will close after 30 seconds without operations.

7. DMX CHANNELS

Channel	Function	Value	Description
1	Pan	0-540	Pan movement 16 bit
2	Tilt	0-280	Tilt movement 16 bit
3	Dimmer	0-100	Gamma adjustment
4	Strobe	000-006	No function
		007-065	Slow to fast strobe
		066-069	No function
		070-128	Pulse strobe from slow to fast
		129-132	No function
		133-191	Strobe fading in from slow to fast
		192-195	No function
196-255	Strobe fading out from slow to fast		
5	Red	0-100%	Red (0-Black , 255-100% Red)
6	Green	0-100%	Green (0-Black , 255-100% Green)
7	Blue	0-100%	Blue (0-Black , 255-100% Blue)
8	White	0-100%	White (0-Black , 255-100% White)
9	Scan Speed	0-255	From fast to slow

Channel	Function	Value	Description
10	RGB macro function	000-004	No function
		005-044	Eight fixed colors
		045-049	No function
		050-094	Eight jumping colors (9 levels)
		095-099	No function
		100-149	Eight fading colors (5 levels)
		150-154	No function
		155-166	Red+Green from dark to bright
		167-178	Green+Red from bright to dark
		179-190	Green+Blue from dark to bright
		191-202	Blue+Green from bright to dark
		203-214	Blue+Red from dark to bright
		215-226	Red+Blue from bright to dark
		227-238	RGB from dark to bright
		239-250	Blue+Red from dark to bright at the same time green from bright to dark
251-255	Output 100%at the same time		
11	Auto	000-127	No fuction
		128-255	Auto
12	Reset	000-250	No function
		251-255	Reset (3 seconds)

8. SPECIFICATIONS

18PCS 12W 4 in 1 high power LED
 50,000 hours lifespan and low power consumption
 8 bit smooth and precise resolution for PAN/TILT movement
 540°/630° pan and 265° tilt movement
 Scan position memory, auto reposition after unexpected movement
 RGB color mixing system
 LED shutter
 LED dimming
 LED rainbow effect
 Macros effect
 Strobe effect with 18 flashes per second and pulse effect
 General dimming and blackout for all four colors
 12 DMX channels
 DMX512, master-slave and sound activated controllable or auto operation
 Blue background LCD display
 Input voltage : AC90-260V 50-60Hz
 LED quantities : 18pcs 12W 4 in 1 LED
 Control Signal : DMX512, master-slave and sound activated or auto operation
 Control channel : 12 DMX Channels
 Power consumption : 180W
 Dimensions : 350 x 260 x 350 mm
 Weight : 9 kg

9. MAINTENANCE AND CLEANING

The following points have to be considered during the inspection :

- 1) All screws for installing the devices or parts of the device have to be tightly connected and must not be corroded.
- 2) There must not be any deformations on the housing, color lenses, fixations and installation spots (ceiling, suspension, trussing)
- 3) Mechanically moved parts must not show any traces of wearing and must not rotate with unbalances.
- 4) The electric power supply cables must not show any damage, material fatigue or sediments.

Further instructions depending on the installation spot and usage have to be adhered by a skilled installer and any safety problems have to be removed.

In order to make the lights in good condition and extend the life time, we suggest a regular cleaning to the lights.

- 1) Clean the inside and outside lens each week to avoid the weakness of the lights due to accumulation of dust.
- 2) Clean the fan each week.
- 3) A detailed electric check by approved electrical engineer each three month, make sure that the circuit contacts are in good condition, prevent the poor contact of circuit from overheating.

We recommend a frequent cleaning of the device. Please use a moist, lint- free cloth. Never use alcohol or solvents.

There are no serviceable parts inside the device. Please refer to the instructions under "Installation instructions".

Should you need any spare parts, please order genuine parts from your local dealer.

LINEARLEDS



Linear Technologie • 11 rue du Puits Rochefort • 42 100 Saint-Etienne
Tél: +33 (0)4 77 81 49 49 • Fax: +33 (0)4 77 81 49 40 • www.lineartech.fr