

37x9W LED LYRE - 3 in 1

LTL.LY379E

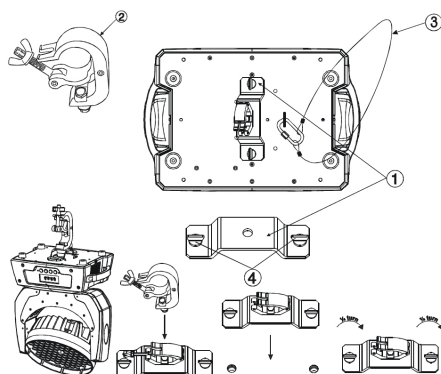


The LED lyre LTL.LY379E is a wash motorised lyre equipped with 37 LED EDISON of 9W, 3 in 1, RGB. It permits to create a huge effect number of color changes and also visual effects. It embeds dimmer 0-100% function, stroboscope, ...



Specifications

Features	Compact and light
LED	EDISON
Opening angle	25°
Display	LCD
DMX512 control	Master - slave
13/21 DMX channel	Transferables
Mode	Automatic
Effects	Color changes, dim 0-100%, adjustable speed, stroboscope Pan 540°/630° and Tilt 280°
Power supply	110 - 240V
Electric power	350W
Mounting	Omega holders
Dimensions	350 x 260 x 400 mm
Weight	9Kg



- (1) Omega holders
- (2) Clamp
- (3) Safety rope
- (4) Quick lock fastener

