

LED LYRE LTL.LY379E

Operation manual



Keep this manual well for future needs

TABLE OF CONTENTS

1. About this product.....	Page 3
2. Safety instructions.....	Page 3
3. Operation instructions.....	Page 3
4. Mounting.....	Page 4
5. DMX-512 connections.....	Page 4
6. LCD display.....	Page 5
7. Specifications.....	Page 5
8. Wave beam.....	Page 6

1. ABOUT THIS PRODUCT

Thank you for choosing our moving head. For your own safety, please read this manual before installing the device. This manual covers the important information on installation and applications. Please install and operate the fixture with following instructions. Meanwhile, please keep this manual well for future needs. This moving head wash is made of a new type of high temperature strength of engineering plastics and cast aluminum casing with nice outlook. The fixture is designed and manufactured strictly following CE standards, complying with international standard DMX512 protocol. It's available independently controlled and linkable with each other for operation. And it is applicable for large-scale live performances, theater, studio, nightclubs and discos. Adapts with powerful LED lamps which features high brightness and stability. Please carefully open package when you receive the fixture and check whether it is damaged during the transportation.

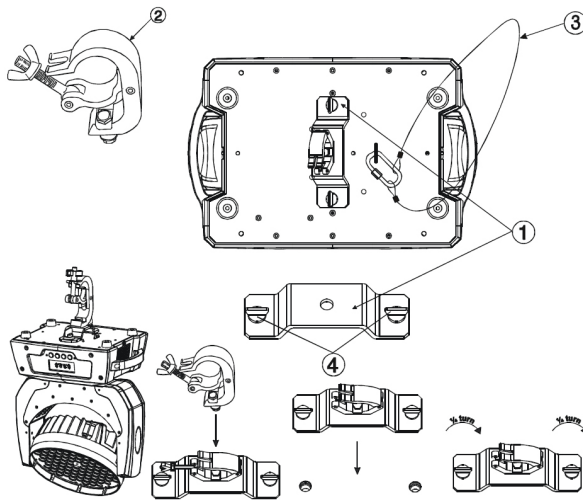
2. SAFETY INSTRUCTIONS

This device has left the factory in perfect condition. In order to maintain this condition and to ensure a safe operation, it is absolutely necessary for the user to follow the safety instructions and warning notes written in this user manual. If the device has been exposed to temperature changes due to environmental changes, do not switch it on immediately. The arising condensation could damage the device. Leave the device switched off until it has reached room temperature. This device falls under protection-class I. Therefore it is essential that the device be earthed. The electric connection must carry out by qualified person. The device shall only be used with rate voltage and frequency. Make sure that the available voltage is not higher than stated at the end of this manual. Make sure the power cord is never crimped or damaged by sharp edges. If this would be the case, replacement of the cable must be done by an authorized dealer. Always disconnect from the mains, when the device is not in use or before cleaning it. Only handle the power cord by the plug. Never pull out the plug by tugging the power cord. During initial start-up some smoke or smell may arise. This is a normal process and does not necessarily mean that the device is defective, it should decrease gradually. Please don't project the beam onto combustible substances. Fixtures cannot be installed on combustible substances, keep more than 50cm distance with wall for smooth air flow, so there should be no shelter for fans and ventilation for heat radiation. If the external flexible cable or cord of this fixture is damaged, it shall.

3. OPERATION INSTRUCTIONS

- The moving head is an LED wash light for onsite decoration purpose.
- Don't turn on the fixture if it's been through severe temperature difference like after transportation because it might damage the light due to the environment changes. So make sure to operate the fixture until it is in normal temperature.
- This light should be keep away from strong shaking during any transportation or movement.
- Don't pull up the light by only the head, or it might cause damages to the mechanical parts.
- Don't expose the fixture in overheat, moisture or environment with too much dust when installing it. And don't lay any power cables on the floor. Or it might cause electronic shock to the people.
- Make sure the installation place is in good safety condition before installing the fixture.
- Make sure to put the safety chain and check whether the screws are screwed properly when installing the fixture.
- Make sure the lens are in good condition. It's recommended to replace the units if there are any damages or severe scratch.
- Make sure the fixture is operated by qualified personnel who knows the fixture before using.
- Keep the original packages if any second shipment is needed.
- Don't try to change the fixtures without any instruction by the manufacturer or the appointed repairing agencies.
- It is not in warranty range if there are any malfunctions from not following the user manual to operate or any illegal operation, like shock short circuit, electronic shock, lamp broke, etc.

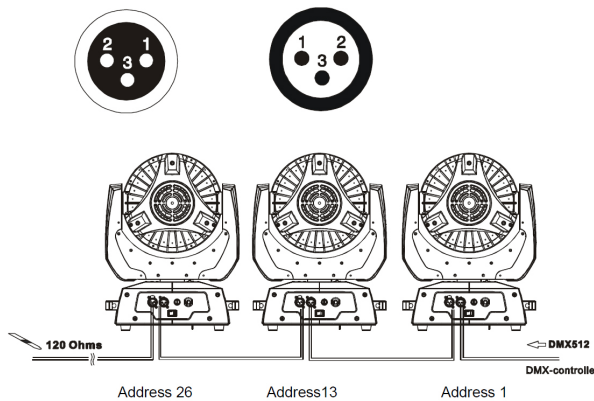
4. MOUNTING



- (1) Omega holders
- (2) Clamp
- (3) Safety rope
- (4) Quick lock fastener

When the LED lyre is fixed by the help of clamp, mounting bars are fixed with the quick lock fastener (4) which permits a fast mounting and dismantling.

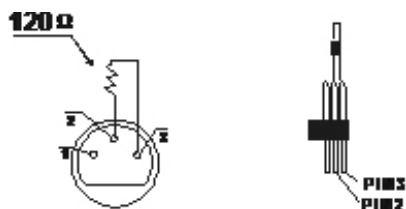
5. DMX-512 CONNECTIONS



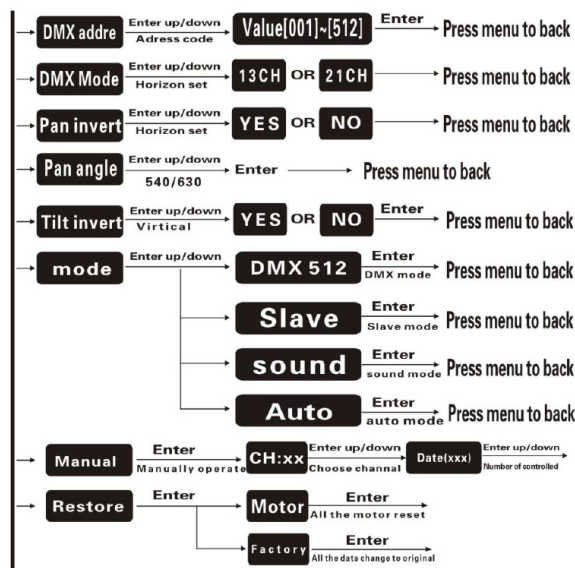
- 1. MASSE
- 2. Signal (-)
- 3. Signal (+)

Connection with DMX-512 cable to a DMX console :

For installations that require long distance DMX cable, it is recommended to use a DMX booster and a plug termination 120Ω.



6. LCD DISPLAY

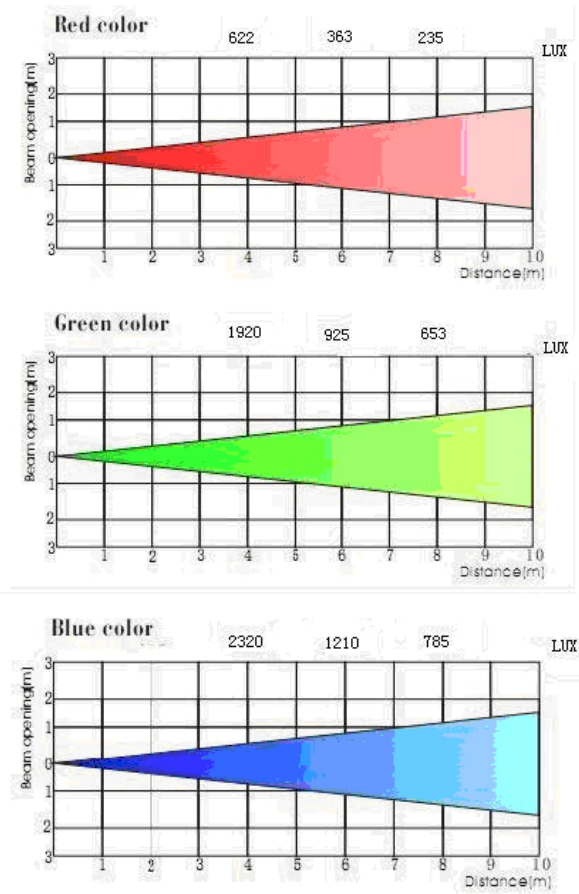


Mode/Channel		Value	Function
1	2		
CH1	CH1	000-255	Pan Pan movement by 540°
CH2	CH2	000-255	Tilt Tilt movement by 270°
CH3	CH3	000-255	Open dimmer
CH4	CH4	000-255	Strobe
CH5	----	000-255	Dimmer speed (from fast to slow)
CH6	CH5	000-255	Red - 1 Red LEDs saturation control (0-100%)
CH7	CH6	000-255	Red Red LEDs saturation control (0-100%)
CH8	CH7	000-255	Green-1 Green LEDs saturation control (0-100%)
CH9	CH8	000-255	Green Green LEDs saturation control (0-100%)
CH10	CH9	000-255	Blue-1 Blue LEDs saturation control (0-100%)
CH11	CH10	000-255	Blue Blue LEDs saturation control (0-100%)
CH12	CH11	000-255	Red - 2 Red LEDs saturation control (0-100%)
CH13	----	000-255	RGB Macro function (from Slow to fast) 1
CH14	----	000-255	Green-2 Green LEDs saturation control (0-100%)
CH15	----	000-255	RGB Macro function (from slow to fast) 2
CH16	----	000-255	Blue-2 Blue LEDs saturation control (0-100%)
CH17	-CH12	000-255	Macro speed
CH18	----	000-255	Red - 3 Red LEDs saturation control (0-100%)
CH19	----	000-255	Dimmer speed
CH20	----	000-255	Green - 3 Green LEDs saturation control (0-100%)
CH21	CH13	000-255	Blue - 3 Blue LEDs saturation control (0-100%)
			X16bit
			Y16bit
			XY scan speed
			Macro function 1 0-10: no function 11-44: 7 color 45-96: Jump color 3S 97-148: gradual change 3S 149-200: 7 color jump 201-252: 7 color gradual change 253-255: All color bright.
			Macro function 2 per 16 data one function 0-149 Need to cooperate R1-B3 to edit the function 150-255 Macro function 2.
			Macro speed
			125-127 3S Reset 130-150: Auto mode 1. 250-255: Auto mode 2.

7. SPECIFICATIONS

- 37.9 Watts LED of RGB – 3 in 1
- LED EDISON
- 50,000 hours lifetime and low consumption
- LED ANGLE : 25°
- Pan 540°/630° and Tilt 280°
- DMX512 control, master – slave
- Automatic mode
- 13 / 21 channel DMX transferable
- Color change effects, dim 0-100%, adjustable speed, stroboscope (20 flash / second)
- LCD display
- Power supply : AC90 - 240V 50 - 60Hz
- Electric power : 350 Watts
- Dimensions : 350 x 260 x 350 mm
- Housing dimensions : 425 x 295 x 400 mm
- Weight : 9Kg

8. WAVE BEAM



LINEARLEDS



Linear Technologie • 11 rue du Puits Rochefort • 42 100 Saint-Etienne
Tél: +33 (0)4 77 81 49 49 • Fax: +33 (0)4 77 81 49 40 • www.lineartech.fr