

VOLUME CONTROLLER LTS.AT06R / LTS. AT100R

Operation manual

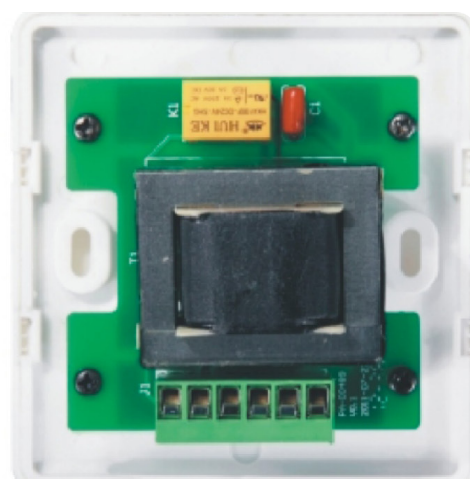


TABLE OF CONTENTS

1. Technical informations.....	Page 3
2. Setting.....	Page 3

1. TECHNICAL INFORMATIONS

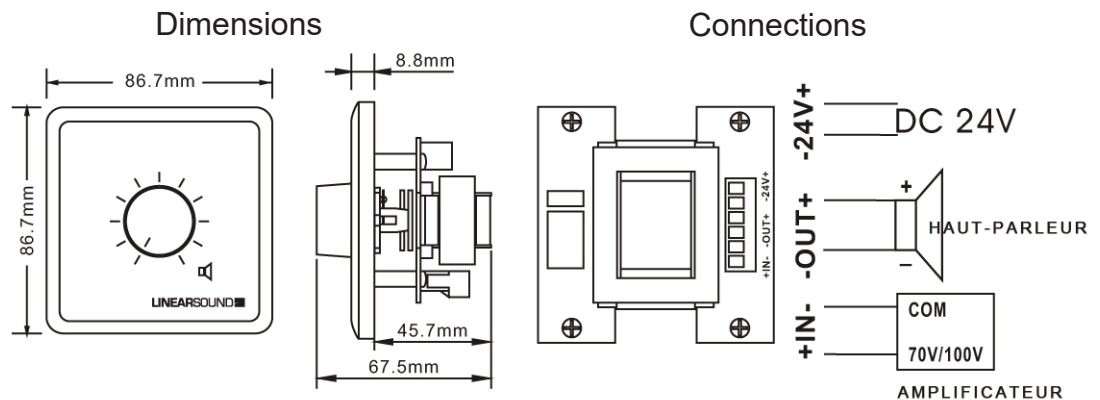
Please read the explanation before use or fix it.

Model	AT06R	AT100R
Input power	6W	100W
Line input	100V	100V
Control mode	Trans	Trans
Step	11	11
Finish	ABS	ABS
Relay	With DC24V Relay	
Accessories	M3.5X2.0Screw.....2	

2. SETTING

Installation steps

1. Install the box in the appropriate position and lead the music signal wire to the box.
2. Take out the volume controller and connect the cabling on its rear panel. Make sure the cabling is secure.
3. Remove the panel frame of the volume controller and tighten the screw in correct position.
4. Put the panel frame back to the volume controller to finish the installation.



Attention : The usable wire should be IV and HIV type, whose diameter is 0.8-1.4mm, with cross-section acreage is 0.5-1.5mm² criterion wire .The signal is input into IN+ and IN- when playing music.

When direct current 24V signal input ,not be controlled by volume controller.

LINEARSOUND



Linear Technologie • 11 rue du Puits Rochefort • 42 100 Saint-Etienne
Tél: +33 (0)4 77 81 49 49 • Fax: +33 (0)4 77 81 49 40 • www.lineartech.fr